



NBS210A

10" Active Subwoofer Box

User Manual

 www.nakamichicaraudio.com

 [Nakamichi.Global](https://www.facebook.com/Nakamichi.Global)

 [Nakamichi.caraudio](https://www.instagram.com/Nakamichi.caraudio)

System Equipment

Thank you for your purchase, and welcome to Nakamichi! In order to enjoy the better service from us, please keep your original invoice well and complete the warranty card. You'd better post the copy of the warranty card back to the appointed service agent of Nakamichi, so that you may get more technical support.

ACCESSORY LIST

1. User Manual	1pc
2. Speaker	1pc
3. Cable tie	1pc
4. Remote Control	1pc
5. FUSE (20A)	1pc

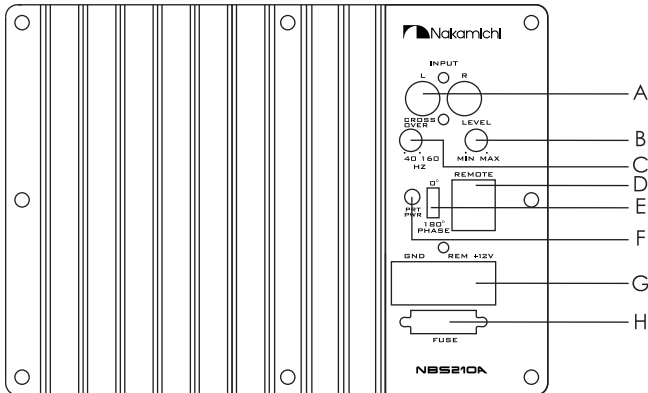
附件增加螺丝2pcs

SPECIFICATIONS

N-power	100W
MAX power	1000W
THD	<1%
Signal-to-noise-ratio	>90dB
Frequency response	40Hz - 160Hz
Input sensitivity	0.5 - 280mV
Subsonic Filter	20Hz (Fixed)
Fuse rating	20A
Dimensions (L x H x W)	300 x 275 x 318 mm
Net Weight	Approx. 7.2 kg
Box Dimensions (L x H x W)	345 x 320 x 355 mm

345x300x330mm

Panel controls and features



A. LOW LEVEL RCA INPUTS

Low level inputs are the recommended way to introduce the audio signal to the subwoofer if RCA outputs are present on your head unit or other signal source (such as a sound processor).

B. LEVEL RCA INPUTS

The LEVEL feature will increase the sound level in the bass frequencies.

C. LOW PASS FILTER

This control permits you to define the frequency range you want the subwoofer amplifier to receive. The subwoofer will reproduce all sound BELOW the frequency you set.

Note: The low pass filter frequency can be higher or lower than the standard. There are +/-20% tolerance.

D. REMOTE LEVEL CONTROL PORT

Attach the included remote level control to control the volume level of the subwoofer independently.

E. PHASE SHIFT

Use this switch to help compensate for time alignment problems in the system. Such problems usually result from having the subwoofer at a different distance from the listener than the other speakers in the system.

Panel controls and features

F. POWER STATUS LED

This bi-color LED glows green when power is on and no problems are present. If one of the protection circuits comes on, it will change to red.

G. POWER INPUT TERMINAL

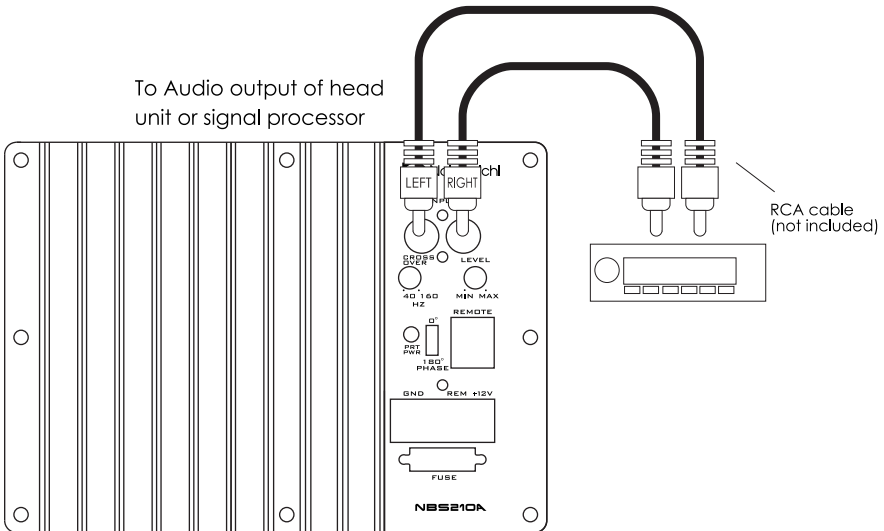
H. FUSE

Do not use a fuse with a different value and NEVER replace the fuse with a wire or coin.

Low Level Input Wiring

Low-level (RCA) input wiring is preferred for best audio performance. Most trunk and under seat installations will require a 6-12 feet RCA cable. Always use a high quality cable.

NOTE: Do not connect BOTH the high level and low level inputs from your receiver to your amplifier at the same time!

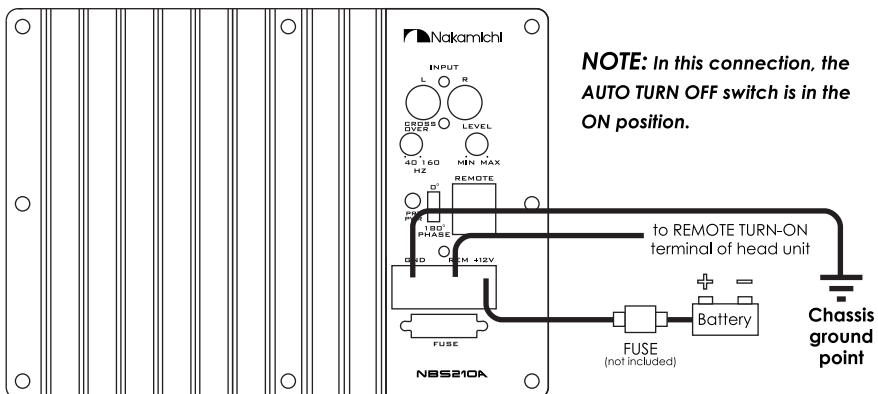
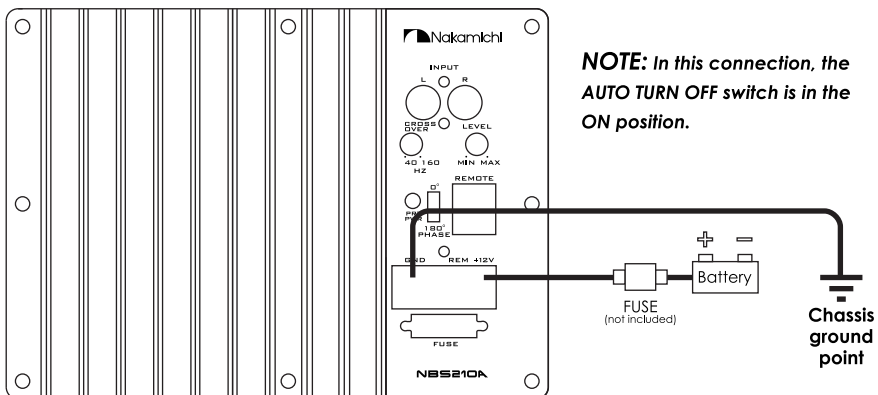


Power Connections

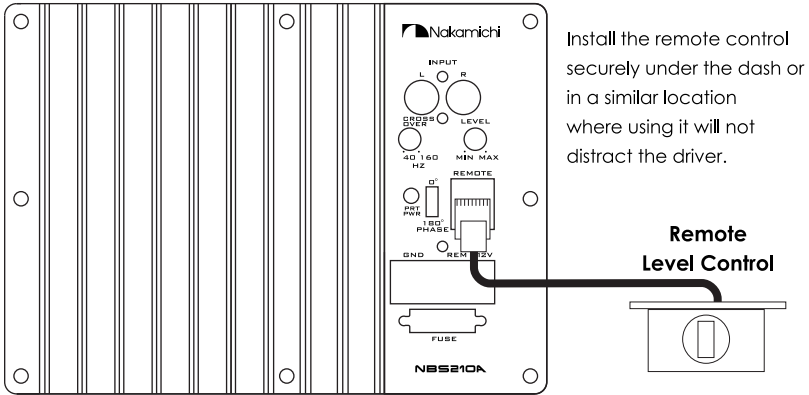
Connect the ground terminal to the closest point on the chassis of the vehicle. Use 8 gauge (or heavier) wire to connect the ground cable.

Connect the remote terminal to the remote output of head unit using 16 gauge (or heavier) wire.

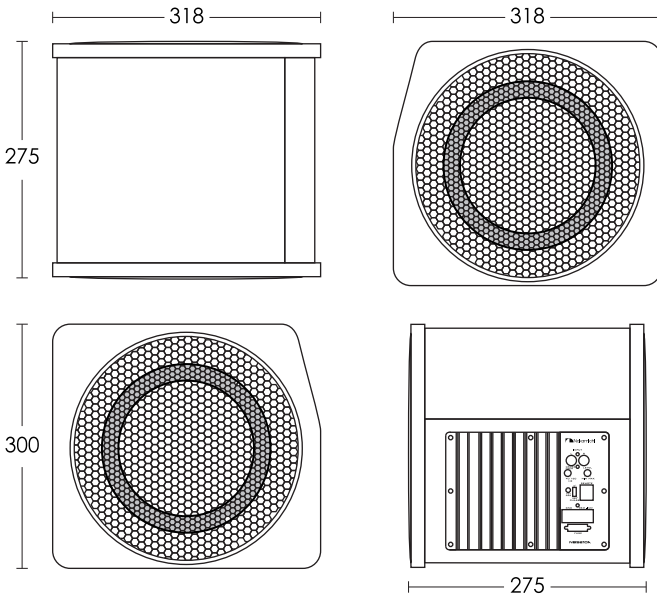
Connect an empty fuse holder within 16" (40 cm) of the car battery, and run 8 gauge (or heavier) cable from this fuse to the amplifier location. Then connect the fuse holder to the "BATT+" (+12V) connection on the subwoofer rear panel.



Remote Level Control Connection



Dimensions (Unit:MM)



Troubleshooting

If you experience operation or performance problems with this product, compare your installation with the electrical wiring diagram on the previous pages. If problems persist, read the following troubleshooting tips which may help eliminate the problems.

SYMPTOMS	POSSIBLE REMEDY
Products will not power up.	<p>Check to make sure you have a good ground connection.</p> <p>Check that the Remote Input (Turn-On) has at least 5VDC.</p> <p>Check that there is battery power on the (+) terminal-</p> <p>Check that there is at least 12v.</p> <p>Check all fuse, replace if necessary.</p> <p>Make sure that the Protection LED is not illuminated. If it is lit, shut off the amplifier briefly, and then repower it.</p>
Protection LED comes on when amplifier is powered up	<p>Turn down the volume control on the head unit to prevent overdriving.</p> <p>Check that there is good air circulation around the amp.</p>
No output	<p>Check that all fuses are OK.</p> <p>Check that unit is properly grounded.</p> <p>Check that the Remote Input (Turn- On) has at least 5VDC.</p> <p>Check that the RCA audio cables are plugged into the proper inputs.</p>
Low output	<p>Reset the Level Control.</p> <p>Check the Crossover Control settings.</p>
High hiss in the sound.	<p>Disconnect all RCA inputs to the power sub's control panel.</p> <p>If the hiss disappears, then plug in the component driving the amplifier and unplug its inputs. If the hiss disappears at this point, go on until the faulty/noisy component is found.</p> <p>It is best to set the amplifier's input level control as low as possible. The best subjective signal-to-noise ratio is achieved in this manner.</p> <p>Try to set the head unit as high as possible (without distortion)</p>
Squealing noise is present.	<p>Check for improperly grounded RCA interconnects.</p>
Distorted sound.	<p>Check that the Input Level Control is set to match the signal level of the head unit.</p>
Engine noise (static type)	<p>This is usually caused by poor quality RCA cables, which can pick up noise. Use only the best quality cables, and route them away from power cables.</p>
Engine noise (alternator whine)	<p>Check that the RCA grounds are not shorted to the vehicle chassis</p> <p>Check that the head unit is properly grounded.</p>

FIND US ON:

 www.nakamichicaraudio.com

 Nakamichi.Global

 Nakamichi.caraudio